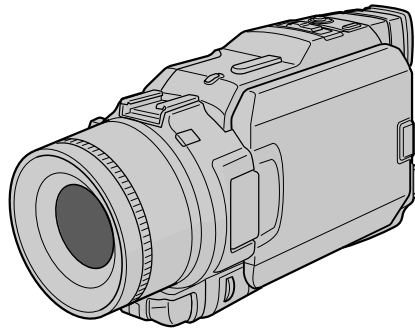


JVC

SERVICE MANUAL

DIGITAL VIDEO CAMERA

GR-DV2000A,A-S,EA,SH



Regarding service information other than these sections, refer to the GR-DV2000EG service manual (No. 86604). Also, be sure to note important safety precautions provided in the service manual.

SPECIFICATIONS *(The specifications shown pertain specifically to the model GR-DV2000EA/A/A-S/SH/ED)*

Camcorder		For Connectors	
For General		AV	
Power supply	: DC 6.3 V \equiv (Using AC Power Adapter/Charger) DC 7.2 V \equiv (Using battery pack)	Video output	: 1 V (p-p), 75 Ω , analogue
Power consumption		Video input	: 0.5 V (p-p) – 2.0 V (p-p), 75 Ω , analogue
LCD monitor off, viewfinder on	: Approx. 4.4 W	Audio output	: 308 mV (rms), 1 k Ω , analogue, stereo
LCD monitor on, viewfinder off	: Approx. 5.3 W	Audio input	: 308 mV (rms), 50 k Ω , analogue, stereo
Dimensions (W x H x D)	: 74 mm x 90 mm x 178 mm (with the LCD monitor closed and the viewfinder pushed back in, without the lens hood)	DV	
Weight	: Approx. 660 g (without cassette, memory card and battery) Approx. 740 g (incl. cassette, memory card and battery)	Output	: 4-pin, IEEE 1394 compliant
Operating temperature	: 0°C to 40°C	Input	: 4-pin, IEEE 1394 compliant
Operating humidity	: 35% to 80%	PHONE	
Storage temperature	: -20°C to 50°C	Headphone output	: ϕ 3.5 mm, stereo
Pickup	: 1/4" CCD (Progressive Scan)	MIC	
Lens	: F 1.8, f = 3.8 mm to 38 mm, 10:1 power zoom lens	External microphone input	: 459 μ V (rms), high impedance unbalanced, ϕ 3.5 mm (stereo)
Filter diameter	: ϕ 52 mm	PRINTER	: For an optional video printer equipped with a PRINT DATA connector
LCD monitor	: 3.5" diagonally measured, LCD panel/TFT active matrix system		
Viewfinder	: Electronic viewfinder with 0.44" colour LCD		
Speaker	: Monaural		
For Digital Video Camera		AC power adapter/charger	
Format	: DV format (SD mode)	AA-V40EA, AA-V40A, AA-V40A-S, AA-V40SH or AA-V40ED	
Signal format	: PAL standard	Power requirement	: AC 110 V to 240 V \sim , 50 Hz/60 Hz
Recording/Playback format	: Video: Digital component recording Audio: PCM digital recording, 32 kHz 4-channel (12-bit), 48 kHz 2-channel (16-bit)	Power consumption	: 23 W
Cassette	: Mini DV cassette	Output	
Tape speed	: SP: 18.8 mm/s LP: 12.5 mm/s	Charge	: DC 7.2 V \equiv , 1.2 A
Maximum recording time (using 80 min. cassette)	: SP: 80 min. LP: 120 min.	VTR	: DC 6.3 V \equiv , 1.8 A
For Digital Still Camera		Dimensions (W x H x D)	: 68 mm x 38 mm x 110 mm
Storage media	: SD Memory Card/MultiMediaCard	Weight	
Compression system	: JPEG (compatible)	AA-V40EA	: Approx. 270 g
File size	: 3 modes (UXGA: 1600 x 1200 pixels/XGA: 1024 x 768 pixels/VGA: 640 x 480 pixels)	AA-V40A/A-S/SH/ED	: Approx. 260 g
Picture quality	: 2 modes (FINE/STANDARD)	Jack Box CU-V504U	
Approximate number of storable images (with 16 MB MultiMediaCard)		For General	
FINE	: 100 (VGA), 48 (XGA), 20 (UXGA)	Dimensions (W x H x D)	: 37.5 mm x 18.5 mm x 55 mm
STANDARD	: 300 (VGA), 144 (XGA), 60 (UXGA)	Weight	: Approx. 30 g
(with 8 MB MultiMediaCard)		For Connectors	
FINE	: 50 (VGA), 24 (XGA), 10 (UXGA)	USB	: TYPE B
STANDARD	: 150 (VGA), 72 (XGA), 30 (UXGA)	S-VIDEO	: Y: 1 V (p-p), 75 Ω , analogue output C: 0.29 V (p-p), 75 Ω , analogue output
		EDIT	: ϕ 3.5 mm, 2-pole

Specifications shown are for SP mode unless otherwise indicated. E & O.E. Design and specifications subject to change without notice.

TABLE OF CONTENTS

DIFFERENT TABLE	1, 2
4. CHARTS AND DIAGRAMS (4-1 to 4-6)	
4.1 AUDIO CIRCUIT BOARD	4-1
4.2 REG CIRCUIT BOARD	4-5
5. PARTS LIST (5-1 to 5-2)	
5.1 PACKING AND ACCESSORY ASSEMBLY <M1>	5-1

The following table indicate main different points between models GR-DV2000EG and GR-DV2000A, GR-DV2000A-S, GR-DV2000EA and GR-DV2000SH.

ITEM \ MODEL	GR-DV2000EG	GR-DV2000A	GR-DV2000A-S	GR-DV2000EA	GR-DV2000SH
AC ADAPTER CHARGER	AA-V40EG	AA-V40A	AA-V40AS	AA-V40EA	AA-V40SH

The following table indicate different parts number between models GR-DV2000EG and GR-DV2000A, GR-DV2000A-S, GR-DV2000EA and GR-DV2000SH.

PACKING AND ACCESSORY ASSEMBLY <M1> Note: As for IB (INSTRUCTIONS), refer to sec.5.

REF. NO	ITEM \ MODEL	GR-DV2000EG	GR-DV2000A	GR-DV2000A-S	GR-DV2000EA	GR-DV2000SH
1	PACKING CASE	LY32212-001A	LY32212-003A	←	←	LY32212-004A
9	WARRANTY CARD	BT-54013-2	—	—	BT-56001-2	—
△ 10	SHEET(CON.PLUG)	—	LYT0609-001A	←	—	—
△ 14	CONVERSION PLUG	—	PEMC1012-02	PEMC1012	—	—
△ 15	AC POWER ADAPTER/CHARGER	LY20591-003C	LY20591-007A	LY20591-008A	LY20591-009B	LY20591-006B
17	SER.NET CARD	—	—	—	BT-56002-2	—
26	MULTIMEDIA CARD	QAM0262-002	QAM0321-002	←	←	QAM0262-002
30	POLY BAG	QPA02003506	←	←	QPA02003006	QPA02003506
32	CABLE ADAPTOR	QAM0302-001	—	—	—	—

FINAL ASSEMBLY <M2>

REF. NO	ITEM \ MODEL	GR-DV2000EG	GR-DV2000A	GR-DV2000A-S	GR-DV2000EA	GR-DV2000SH
△ 140	UPPER CASE ASSY	LY20659-003A	LY20659-002B	←	←	←

MONITOR ASSEMBLY <M5>

REF. NO	ITEM \ MODEL	GR-DV2000EG	GR-DV2000A	GR-DV2000A-S	GR-DV2000EA	GR-DV2000SH
△ 500	MONITOR ASSY	LYH20192-003A	LYH20192-005A	←	←	←
△ 501	MONITOR COVER ASSY	LY32013-003C	LY32013-005B	←	←	←

Notes : Mark — is not used.
 Mark ← is same as left.

MAIN BOARD ASSEMBLY <01>

REF. NO	ITEM	MODEL	GR-DV2000EG	GR-DV2000A	GR-DV2000A-S	GR-DV2000EA	GR-DV2000SH
PW	MAIN BOARD ASSY		*YB10301C-03	YB10301C-04	←	←	←
R1031	MG RESISTOR		*NRSA6AJ-0R0W	—	—	—	—
R1032	MG RESISTOR		*NRSA6AJ-0R0W	—	—	—	—
R1070	MG RESISTOR		*NRSA6AJ-0R0W	—	—	—	—
R1074	MG RESISTOR		*NRSA6AJ-0R0W	—	—	—	—
R1078	MG RESISTOR		*NRSA6AJ-0R0W	—	—	—	—
R1093	MG RESISTOR		*NRSA6AJ-0R0W	—	—	—	—
R1100	MG RESISTOR		*NRSA6AJ-0R0W	—	—	—	—
R1102	MG RESISTOR		*NRSA6AJ-0R0W	—	—	—	—
R1103	MG RESISTOR		*NRSA6AJ-0R0W	—	—	—	—
R1117	MG RESISTOR		*NRSA6AJ-0R0W	—	—	—	—
R1404	MG RESISTOR		*NRSA6AJ-0R0W	—	—	—	—
R1438	MG RESISTOR		*NRSA6AJ-0R0W	—	—	—	—
R2002	MG RESISTOR		*NRSA6AJ-0R0W	—	—	—	—
R2007	MG RESISTOR		*NRSA6AJ-0R0W	—	—	—	—
R2008	MG RESISTOR		*NRSA6AJ-0R0W	—	—	—	—
R2012	MG RESISTOR		*NRSA6AJ-0R0W	—	—	—	—
R3034	MG RESISTOR		*NRSA6AJ-0R0W	—	—	—	—
R3052	MG RESISTOR		*NRSA6AJ-0R0W	—	—	—	—
R3053	MG RESISTOR		*NRSA6AJ-0R0W	—	—	—	—
R3055	MG RESISTOR		*NRSA6AJ-0R0W	—	—	—	—
R3315	MG RESISTOR		*NRSA6AJ-0R0W	—	—	—	—
R3332	MG RESISTOR		*NRSA6AJ-0R0W	—	—	—	—
R3333	MG RESISTOR		*NRSA6AJ-0R0W	—	—	—	—
R3334	MG RESISTOR		*NRSA6AJ-0R0W	—	—	—	—
R3335	MG RESISTOR		*NRSA6AJ-0R0W	—	—	—	—
R3336	MG RESISTOR		*NRSA6AJ-0R0W	—	—	—	—
R3337	MG RESISTOR		*NRSA6AJ-0R0W	—	—	—	—
R3339	MG RESISTOR		*NRSA6AJ-0R0W	—	—	—	—
R3340	MG RESISTOR		*NRSA6AJ-0R0W	—	—	—	—
R4313	MG RESISTOR		*NRSA6AJ-0R0W	—	—	—	—
R4314	MG RESISTOR		*NRSA6AJ-0R0W	—	—	—	—
R4315	MG RESISTOR		*NRSA6AJ-0R0W	—	—	—	—
R4316	MG RESISTOR		*NRSA6AJ-0R0W	—	—	—	—
R4317	MG RESISTOR		*NRSA6AJ-0R0W	—	—	—	—
R4365	MG RESISTOR		*NRSA6AJ-0R0W	—	—	—	—
R4386	MG RESISTOR		*NRSA6AJ-0R0W	—	—	—	—
R4387	MG RESISTOR		*NRSA6AJ-0R0W	—	—	—	—
R4388	MG RESISTOR		*NRSA6AJ-0R0W	—	—	—	—
R4389	MG RESISTOR		*NRSA6AJ-0R0W	—	—	—	—
R4829	MG RESISTOR		*NRSA6AJ-0R0W	—	—	—	—
R4839	MG RESISTOR		*NRSA6AJ-0R0W	—	—	—	—
R4840	MG RESISTOR		*NRSA6AJ-0R0W	—	—	—	—
R4844	MG RESISTOR		*NRSA6AJ-0R0W	—	—	—	—
R4854	MG RESISTOR		*NRSA6AJ-0R0W	—	—	—	—
R4859	MG RESISTOR		*NRSA6AJ-0R0W	—	—	—	—
R4874	MG RESISTOR		*NRSA6AJ-0R0W	—	—	—	—
R5013	MG RESISTOR		*NRSA6AJ-0R0W	—	—	—	—
R5018	MG RESISTOR		*NRSA6AJ-0R0W	—	—	—	—
R5022	MG RESISTOR		*NRSA6AJ-0R0W	—	—	—	—
C4863	CAPACITOR		*NCBA1AK-104W	—	—	—	—

PRE/MDA BOARD ASSEMBLY <03>

REF. NO	ITEM	MODEL	GR-DV2000EG	GR-DV2000A	GR-DV2000A-S	GR-DV2000EA	GR-DV2000SH
IC3502	IC		*SN74AHC1G04K	TC7SH00FU	←	←	←
R3518	MG RESISTOR		*NRSA6AJ-560W	NRSA6AJ-100W	←	←	←

Notes : Mark — is not used.
 Mark ← is same as left.
 Mark * reference model was also changed.



JVC

VICTOR COMPANY OF JAPAN, LIMITED
VIDEO DIVISION

S40894

